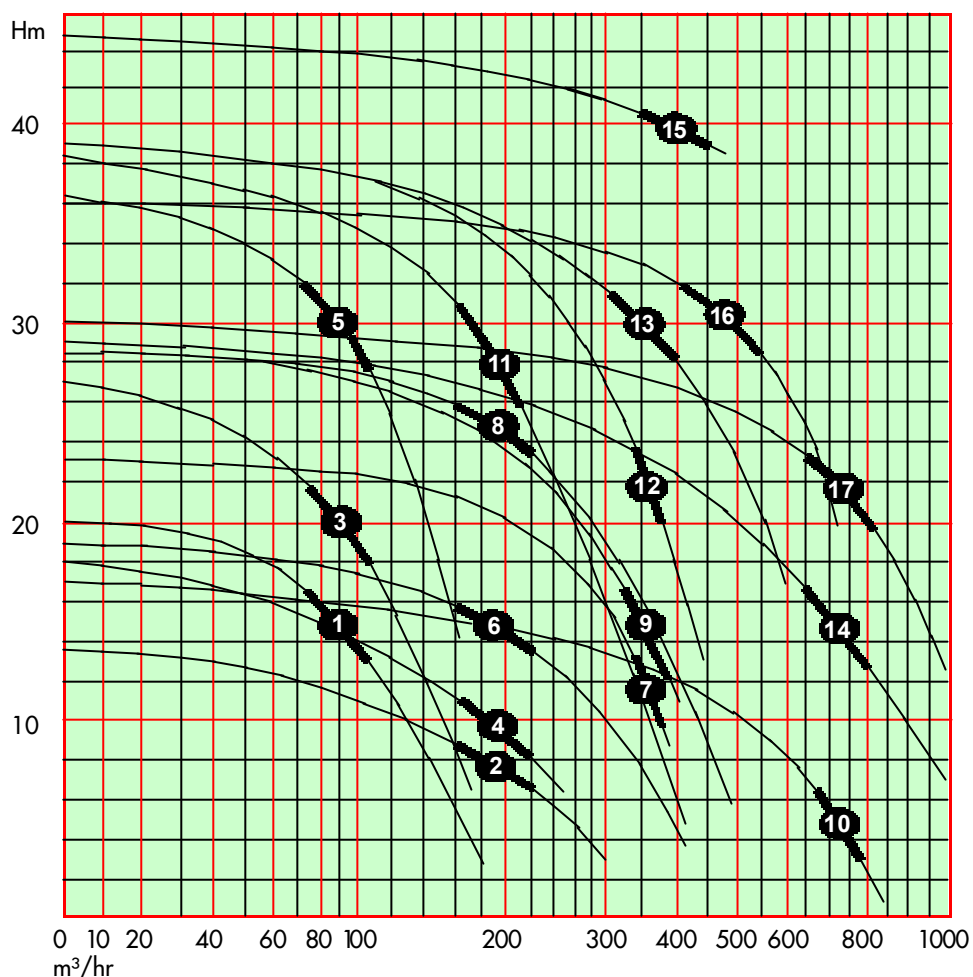


# TOYO DP SUBMERSIBLE AGITATOR PUMPS

Toyo DP submersible agitator pumps have been designed for stirring up and mixing into suspension abrasive components such as sand, gravel, stones and similar debris and then transferring it over considerable distances. They are ideal for a wide range of dredging, mineral extraction and industrial cleaning operations.

All wearing parts such as agitator, impeller and adjustable wear plates are manufactured from special high chrome steel, for long service life.



No.	Model	Outlet		Capacity m <sup>3</sup> /hr	Manom. Head m	Grain Size mm	Power kW	RPM 50Hz	Current (A) 380V	Electric Cable	Weight kg
		inch	mm								
1	DP15-4	4	100	90	15	35	11	960	24	4x10mm <sup>2</sup>	470
2	DP15B-4	6	150	190	8	60	11	960	24	4x10mm <sup>2</sup>	510
3	DP20-4	4	100	90	20	35	15	970	32	4x10mm <sup>2</sup>	550
4	DP20B-4	6	150	190	10	60	15	970	32	4x10mm <sup>2</sup>	540
5	DP30-4	4	100	90	30	35	22	975	46	4x16mm <sup>2</sup>	750
6	DP30B-4	6	150	190	15	60	22	975	46	4x16mm <sup>2</sup>	730
7	DP40B-4	8	200	360	12	40	30	970	58	4x35mm <sup>2</sup>	750
8	DP50-4	6	150	190	25	60	37	980	75	4x35mm <sup>2</sup>	950
9	DP50B-4	8	200	360	15	60	37	980	75	4x35mm <sup>2</sup>	970
10	DP50BL-4	10	250	720	5	80	37	980	75	4x35mm <sup>2</sup>	1150
11	DP50H-4	6	150	190	28	40	37	980	75	4x35mm <sup>2</sup>	1050
12	DP75B-4	8	200	360	22	40	55	975	116	4x50mm <sup>2</sup>	1120
13	DP100B	8	200	360	30	60	75	740	150	4x50mm <sup>2</sup>	2300
14	DP100BL	10	250	720	15	100	75	740	150	4x50mm <sup>2</sup>	2700
15	DP150	8	200	390	40	120	110	590	215	4x95mm <sup>2</sup>	3500
16	DP150BL	8	200	480	30	120	110	590	215	4x95mm <sup>2</sup>	3500
17	DP150B	10	250	720	22	120	110	590	215	4x95mm <sup>2</sup>	3500

# TOYO DP SUBMERSIBLE AGITATOR PUMPS

## GENERAL DETAILS

### Wear Plates

The pump has two wear plates, the lower one being adjustable. This allows the clearance between the plate and the impeller to be maintained for optimum performance.

DP15 to DP75: 1.0 - 1.5mm  
 DP100 to DP150: 1.5 - 2.0mm

### Temperatures

Max. medium temperature: 40°C  
 Some models can operate up to 80°C

### Acid Resistance

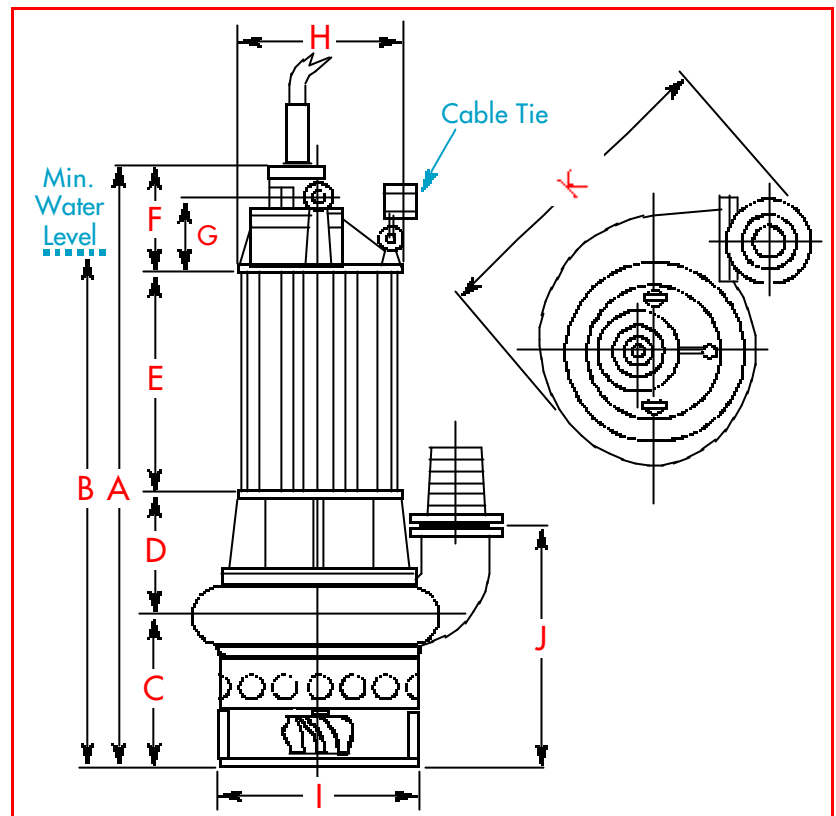
Pumps can operate in media pH 4-9.5

### Working Depth

The maximum working depth is 40m.  
 Lower depths (120m) can be achieved with the use of pressure compensators.

### Starting Method

DP pumps operate with reactor starters.



No.	Model	DIMENSIONS mm										
		A	B	C	D	E	F	G	H	I	J	K
1	DP15-4	1295	1100	350	260	445	240	155	350	445	500	750
2	DP15B-4	1295	1100	330	280	445	240	155	350	445	560	840
3	DP20-4	1310	1100	345	265	460	240	155	380	515	495	825
4	DP20B-4	1310	1100	330	280	460	240	155	380	445	560	840
5	DP30-4	1390	1200	365	280	480	265	195	415	635	515	910
6	DP30B-4	1390	1200	350	295	480	265	195	415	510	580	955
7	DP40B-4	1390	1200	350	295	480	265	195	415	510	600	1010
8	DP50-4	1575	1350	405	325	570	275	195	460	560	635	1020
9	DP50B-4	1575	1350	405	325	570	275	195	460	560	635	1065
10	DP50BL-4	1650	1450	462.5	342.5	570	275	195	460	560	762.5	1350
11	DP50H-4	1580	1350	420	315	570	275	195	460	660	650	1095
12	DP75B-4	1670	1450	420	315	640	295	195	460	660	670	1145
13	DP100B	1875	1650	445	415	680	335	160	600	760	695	1570
14	DP100BL	2058	1850	540.5	502.5	680	335	160	600	820	840.5	1645
15	DP150	2734	2300	640	634	920	540	-	640	1010	940	1610
16	DP150L	2734	2300	640	634	920	540	-	640	1010	940	1610
17	DP150B	2734	2400	640	664	920	540	-	640	1010	970	1695

© Descriptions, technical data and features contained in this leaflet are not binding. We reserve the right to make any necessary modifications without prior notice.

**Hydro-Cleansing Ltd**