

Ref. : R 2148A.pas

Rev. : C

Date :18/01/2019

Page : 1/1

BRONZE GLOBE VALVE PN20

R 2148A



APPLICATION

General use: water, oil.

GENERAL CHARACTERISTICS

Bronze body and bonnet.
Operating by aluminium paint handwheel.
Rising stem.
Female/female threaded ends PN20.

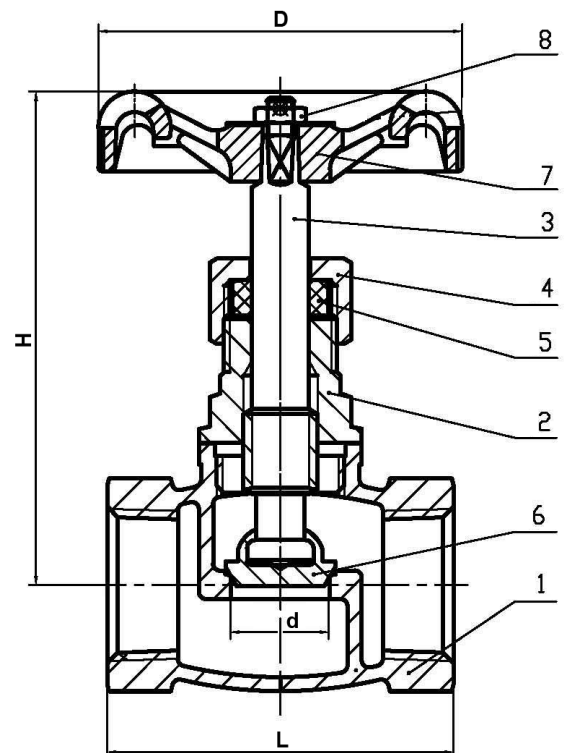
CONSTRUCTION

8	Handwheel nut	Stainless steel
7	Handwheel	Aluminium
6	Disc	DZR Brass CW602N (1/2" - 1") Bronze CC491K (1"1/4 * 2")
5	Packing	PTFE
4	Packing nut	Brass
3	Stem	DZR Brass CW602N
2	Bonnet	Bronze CC491K
1	Body	Bronze CC491K
Pos.	Description	Material



DIMENSIONS

DN		d	L	H	D	Weight (kg)
mm	inch					
15	1/2"	14	52	70	60	0,266
20	3/4"	19	63	82	65	0,437
25	1"	24	76	92	70	0,695
32	1"1/4	32	84	108	78	1,062
40	1"1/2	38	98	120	92	1,426
50	2"	48	116	140	103	2,379



WORKING CONDITIONS

Maximum working pressure : 20 bar.
Maximum working temperature : -10°C / + 170°C.

STANDARDS

Female/female threaded connection according to BSPP.
Test procedures are established according to EN12266-1 : 2012.