

# PG71

## SIGHT GLASS (SIGHT CHECK)



### DESCRIPTION:

PG71 sight glasses are designed to check the flow of cooling water, lubricants, air, steam, etc. in a pipe line. They may also be used to check the functioning of steam traps. This simple device is also an effective back-flow preventer. Suitable for horizontal installation.

**USE:** Water, oil, steam, air and other non-corrosive media.

**SIZES:** NPS 1/2, 3/4, 1

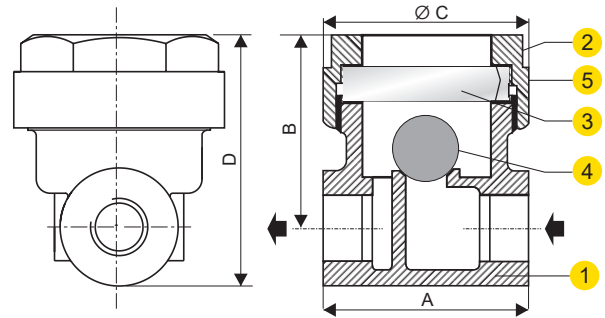
**CONNECTIONS:** Screwed (NPT/BSPT/BSP)

### INSTALLATION:

The sight glass should be installed in a horizontal pipe line with the glass at the top. Enough space should be left open above the glass to facilitate checking of the flow/operation. In cases where the device is fitted to check the operation of a steam trap, it should be fitted at a distance of 5 to 6 feet downstream of the trap

**DIMENSIONS:** Nominal in inches

| SIZE | A    | B    | C    | D    | Wt.     |
|------|------|------|------|------|---------|
| 1/2" | 3.30 | 2.80 | 3.00 | 3.62 | 3.1 lbs |
| 3/4" | 3.30 | 2.80 | 3.00 | 3.62 | 3.1 lbs |
| 1"   | 3.30 | 3.00 | 3.00 | 4.00 | 3.5 lbs |



### LIMITING CONDITIONS: (for steam)

|                               |          |
|-------------------------------|----------|
| Maximum allowable pressure    | 228 psig |
| Maximum allowable temperature | 400 °F   |
| Cold hydro test pressure      | 350 psig |

### MATERIAL:

| NO. | PART    | MATERIAL              | QTY. |
|-----|---------|-----------------------|------|
| 1.  | BODY    | CAST IRON             | 01   |
| 2.  | COVER   | CAST IRON             | 01   |
| 3.  | GLASS   | TOUGHENEDBOROSILICATE | 01   |
| 4.  | BALL    | PTFE                  | 01   |
| 5.  | GASKETS | NON CAF               | 02   |

### AVAILABLE SPARES:

Set of Glass, Ball, Gaskets.

### ORDERING INFORMATION:

Refer "How to Order" page

### DISCHARGE CAPACITY IN lbs/hr (For hot condensate)

| MODEL/<br>SIZE    | DIFFERENTIAL PRESSURE (psi) |      |      |      |       |       |       |       |       |       |       |       |       |       |       |       |       |
|-------------------|-----------------------------|------|------|------|-------|-------|-------|-------|-------|-------|-------|-------|-------|-------|-------|-------|-------|
|                   | 3.5                         | 15   | 28.5 | 42.5 | 57    | 70    | 85    | 100   | 115   | 128   | 145   | 157   | 170   | 185   | 200   | 213   | 228   |
| PG71 - 1/2"       | 2320                        | 2618 | 3025 | 3430 | 3828  | 4235  | 4620  | 5038  | 5445  | 5840  | 6248  | 6645  | 7040  | 7460  | 7855  | 8260  | 8660  |
| PG71 - 3/4"       | 3190                        | 3575 | 4090 | 4620 | 5140  | 5655  | 6160  | 6700  | 7215  | 7733  | 8260  | 8780  | 9295  | 9810  | 10340 | 10855 | 11375 |
| PG71 - 1"         | 3345                        | 3830 | 4445 | 5105 | 5740  | 6350  | 7020  | 7655  | 8295  | 8930  | 9580  | 10240 | 10855 | 11495 | 12135 | 12770 | 13410 |
| PG71 - 1 1/2", 2" | 5830                        | 6710 | 7975 | 9305 | 10705 | 11680 | 12970 | 13880 | 15665 | 17270 | 18040 | 18700 | 19120 | 19490 | 19900 | 22220 | 22615 |

Local regulations may restrict the use of this product below the conditions quoted. Limiting conditions refer to standard connections only. In the interest of development and improvement of the product, we reserve the right to change the specifications without prior notice.